



Cambodia Research and Education Network (CamREN)

Khiev Samnang

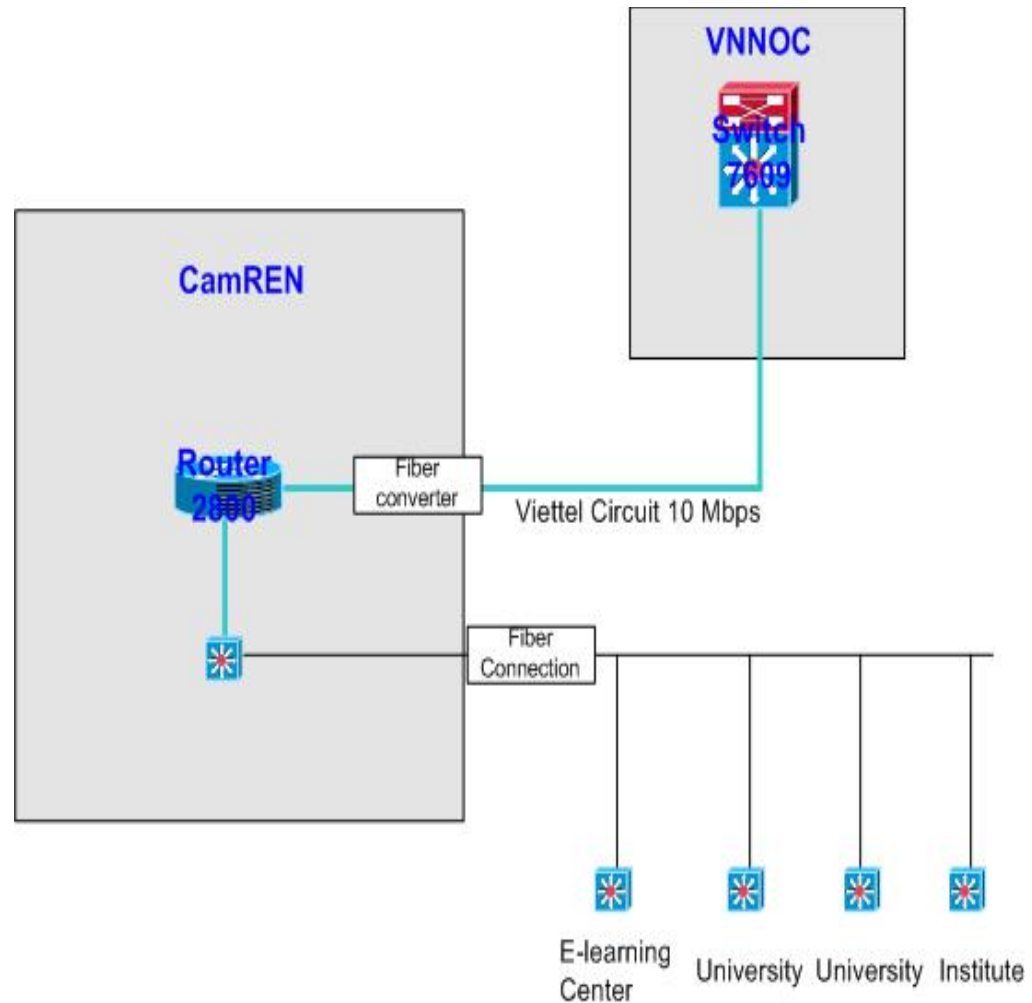
Institute of Technology of Cambodia

Outline

- **Network & Topology**
- **Equipment**
- **Application in Used**
- **TEIN3 & TEIN4 Activities**
- **Future Plan**

Network & Topology

- **10 Mbps of IPLC** between CamREN and TEIN Network by “VinaREN”
- Installing fiber Cable from the NOC to RUPP, UHSC, NIE & MOEYS sponsored by World Bank



Equipment

+ Existing

- Server Dell Power edge T110 (Donation of NSRC)
- Cisco Router 2850 (Donation of NSRC)
- 12 HP Switchs (Donation of NSRC)
- Rack Server (financed by MOEYS of Cambodia)

+ Proposing: some performance network equipment and Server but now is postponed

Application in Used

- Cyber University: By depending on the TEIN network connected from Cambodia through the HUB center in Hanoi via VinaREN link, the E-learning center of ITC used to allow the students at ITC to connect to the LMS server to attend the e-learning courses. 3 Courses operated this year.
- Lab on Campus Network Design & Operation
- Video Conferencing with Japan

TEIN3 & TEIN4 Activities

- **Campus Network Design with TEIN3**

Financial by TEIN3 project, CamREN able to host a hands on technical workshop trained by **NSRC** engineers on how to build a stable campus network; we have 30 participants from the local universities and 7 foreigners' participants from Myanmar, Bangladesh, Thailand and Bhutan.

- **Cloud Computing and Network Monitoring with TEIN4**

Under the cooperating with TEIN*CC of Korea, CamREN success organize a workshop on **Cloud Computing and Network Monitoring** in 01-02 August 2013 with the total of 27 participants 10 participants from abroad.

Future Plan

- Try to finish the installation to the 4 members "RUPP, UHSC, NIE, MOEYS" to link into the CamREN network
- Create the own backbone to provide to the local members
- Prepare to start a new application of Telemedicine
- Enlarge the international bandwidth