

# IPv6 Routing Protocols



## ISP Workshops

# Initial IPv6 Configuration for Cisco IOS



# IPv6 Configuration on Cisco IOS

---

- To enable IPv6 the following global commands are required:

- `Router(config)# ipv6 unicast-routing`

- Also enable IPv6 CEF (not on by default):

- `Router(config)# ipv6 cef`

- Also disable IPv6 Source Routing (enabled by default):

- `Router(config)# no ipv6 source-routing`

# IPv6 Configuration

---

- ❑ To configure a global or unique-local IPv6 address the following interface command should be entered:

```
Router(config-if)# ipv6 address X:X..X:X/prefix
```

- ❑ To configure an EUI-64 based IPv6 address the following interface command should be entered:

```
Router(config-if)# ipv6 address X:X::/prefix eui-64
```

- EUI-64 is not helpful on a router and is not recommended

# IPv6 Configuration

---

- ❑ If no global IPv6 address is required on an interface, yet it needs to carry IPv6 traffic:
  - Enable IPv6 on that interface using:  
`Router(config-if)# ipv6 enable`
  - Which will result in a link-local IPv6 address being constructed automatically
  - FE80:: is concatenated with the Interface ID to give:
    - ❑ FE80::interface-id
- ❑ Configuring an IPv6 address (whether global or unique-local) will also result in a link-local IPv6 address being created

# IPv6 Configuration

---

```
Router1# conf t
Router1(config)# ipv6 unicast-routing
Router1(config)# ipv6 cef
Router1(config)# int fast 0/0
Router1(config-int)# ipv6 enable
Router1(config-int)# ^Z
```

```
Router1#sh ipv6 interface fast 0/0
FastEthernet0/0 is up, line protocol is up
  IPv6 is enabled, link-local address is FE80::A8B9:C0FF:FE00:F11D
  No global unicast address is configured
  Joined group address(es):
    FF02::1
    FF02::2
    FF02::1:FF00:F11D
  MTU is 1500 bytes
  ICMP error messages limited to one every 100 milliseconds
  ICMP redirects are enabled
```

# IPv6 Configuration – EUI64

---

```
Router1#sh ipv6 interface fast 0/0
FastEthernet0/0 is up, line protocol is up
  IPv6 is enabled, link-local address is FE80::A8B9:C0FF:FE00:F11D
  Global unicast address(es):
    2001:DB8::A8B9:C0FF:FE00:F11D, subnet is 2001:DB8::/64 [EUI]
  Joined group address(es):
    FF02::1
    FF02::2
    FF02::1:FF00:F11D
  MTU is 1500 bytes
  ICMP error messages limited to one every 100 milliseconds
  ICMP redirects are enabled
  ND DAD is enabled, number of DAD attempts: 1
  ND reachable time is 30000 milliseconds
  ND advertised reachable time is 0 milliseconds
  ND advertised retransmit interval is 0 milliseconds
  ND router advertisements are sent every 200 seconds
  ND router advertisements live for 1800 seconds
  Hosts use stateless autoconfig for addresses.
```

# IPv6 Configuration – Static

---

```
Router1#sh ipv6 int fast 0/0
FastEthernet0/0 is up, line protocol is up
  IPv6 is enabled, link-local address is FE80::A8B9:C0FF:FE00:F11D
  Global unicast address(es):
    2001:DB8::2, subnet is 2001:DB8::/64
  Joined group address(es):
    FF02::1
    FF02::2
    FF02::1:FF08:2
    FF02::1:FF00:F11D
  ICMP error messages limited to one every 100 milliseconds
  ICMP redirects are enabled
  ND DAD is enabled, number of DAD attempts: 1
  ND reachable time is 30000 milliseconds
  ND advertised reachable time is 0 milliseconds
  ND advertised retransmit interval is 0 milliseconds
  ND router advertisements are sent every 200 seconds
  ND router advertisements live for 1800 seconds
  Hosts use stateless autoconfig for addresses.
```



# IPv6 Interface Configuration

## Duplicate Address Detection

---

- If a point-to-point interface (e.g. POS, HSSI, Serial) is looped:
  - Router sees its address by Solicited Node Multicast
  - Duplicate Address Detection kicks in:

```
Aug 23 09:18:41.263: %IPV6_ND-6-DUPLICATE_INFO: DAD attempt detected  
for 2001:DB8:0:3:: on Serial1/1
```

- Interface automatically disabled for IPv6 traffic (IPv4 traffic is unaffected)
  - This has impact for backbone links (IPv6 traffic takes alternative path) and external peering links (IPv6 peering down, IPv4 peering okay)
- Workaround?
  - Monitoring!

# Routing Protocols



# Static Routing

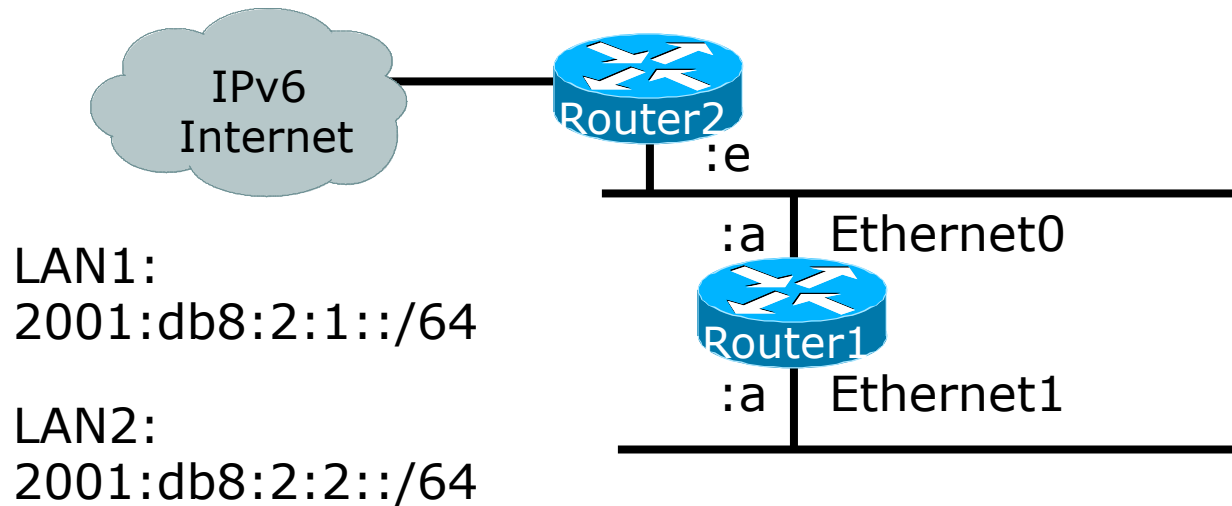
---

- Syntax is:
  - `ipv6 route ipv6-prefix/prefix-length {ipv6-address | interface-type interface-number} [administrative-distance]`
- Static Route

```
ipv6 route 2001:DB8::/64 2001:DB8:0:ABCD::1 150
```

- Routes packets for network 2001:db8::/64 to a networking device at 2001:DB8:0:ABCD::1 with an administrative distance of 150

# Default Routing Example



```
ipv6 unicast-routing
!  
interface Ethernet0  
  ipv6 address 2001:db8:2:1::a/64  
!  
interface Ethernet1  
  ipv6 address 2001:db8:2:2::a/64  
!  
ipv6 route ::/0 2001:db8:2:1::e
```

Default Route  
to Router2

# Dynamic Routing Protocols in IPv6

---

- Dynamic Routing in IPv6 is unchanged from IPv4:
  - IPv6 has 2 types of routing protocols: IGP and EGP
  - IPv6 still uses the longest-prefix match routing algorithm
- IGP
  - RIPng (RFC 2080)
  - Cisco EIGRP for IPv6
  - OSPFv3 (RFC 5340)
  - Integrated IS-ISv6 (RFC 5308)
- EGP
  - MP-BGP4 (RFC 4760 and RFC 2545)

# Configuring Routing Protocols

---

- ❑ Dynamic routing protocols require router-id
  - Router-id is a 32 bit integer
  - IOS auto-generates these from loopback interface address if configured, else highest IPv4 address on the router
  - **Most ISPs will deploy IPv6 dual stack** – so router-id will be automatically created
- ❑ Early adopters choosing to deploy IPv6 in the total absence of any IPv4 addressing need to be aware:
  - Router-id needs to be manually configured:

```
ipv6 router ospf 100
  router-id 10.1.1.4
```

# RIPng

---

- For the ISP industry, simply don't go here
- ISPs do not use RIP in any form unless there is absolutely no alternative
  - And there usually is
- RIPng was used in the early days of the IPv6 test network
  - Sensible routing protocols such as OSPF and BGP rapidly replaced RIPng when they became available

# EIGRP for IPv6

---

- ❑ Cisco EIGRP has had IPv6 protocol support added
  - Just another protocol module (IP, IPX, AppleTalk) with three new TLVs:
    - ❑ IPv6\_REQUEST\_TYPE (0X0401)
    - ❑ IPv6\_METRIC\_TYPE (0X0402)
    - ❑ IPv6\_EXTERIOR\_TYPE (0X0403)
  - Router-ID is still 32-bit, protocol is still 88
- ❑ Uses similar CLI to existing IPv4 protocol support
- ❑ Easy deployment path for existing IPv4 EIGRP users
- ❑ In Cisco IOS Release 12.4 onwards



# EIGRP for IPv6

---

## □ Some differences:

- Hellos are sourced from the link-local address and destined to FF02::A (all EIGRP routers). This means that neighbors do not have to share the same global prefix (with the exception of explicitly specified neighbours where traffic is unicasted).
- Automatic summarisation is disabled by default for IPv6 (unlike IPv4)
- No split-horizon in the case of EIGRP for IPv6 (because IPv6 supports multiple prefixes per interface)

# EIGRP for IPv6—Configuration & Display



Ethernet0 = 2001:db8:2:1:245:21ff:fe00:feed

LAN1: 2001:db8:2:1::/64

Ethernet0



Ethernet1

LAN2: 2001:db8:2:2::/64

```
Router2#
ipv6 router eigrp 100
router-id 1.1.1.1

interface Ethernet0
ipv6 address 2001:db8:2:1::/64 eui-64
ipv6 enable
ipv6 eigrp 100
```

```
Router1#show ipv6 eigrp neighbor
IPv6-EIGRP neighbors for process 100
H Address Interface Hold Uptime SRTT RTO Q Seq
(sec) (ms) Cnt Num
0 FE80::245:21ff:fe00:feed E0 14 00:01:43 1 4500 0 1
```

```
Router1#show ipv6 eigrp topology all links
IPv6-EIGRP Topology Table for AS(100)/ID(1.1.1.1)
Codes: P - Passive, A - Active, U - Update, Q - Query, R - Reply,
r - reply Status, s - sia Status
P 2001:db8:2:1::/64, 1 successors, FD is 28160, serno 1
via Connected, Ethernet0
via FE80::245:21ff:fe00:feed (30720/28160), Ethernet0
```

Neighbour Identified  
by Link-Local Address

# OSPFv3 overview

---

- ❑ OSPFv3 is OSPF for IPv6 (RFC 5340)
- ❑ Based on OSPFv2, with enhancements
- ❑ Distributes IPv6 prefixes
- ❑ Runs directly over IPv6
- ❑ Ships-in-the-night with OSPFv2

# Differences from OSPFv2

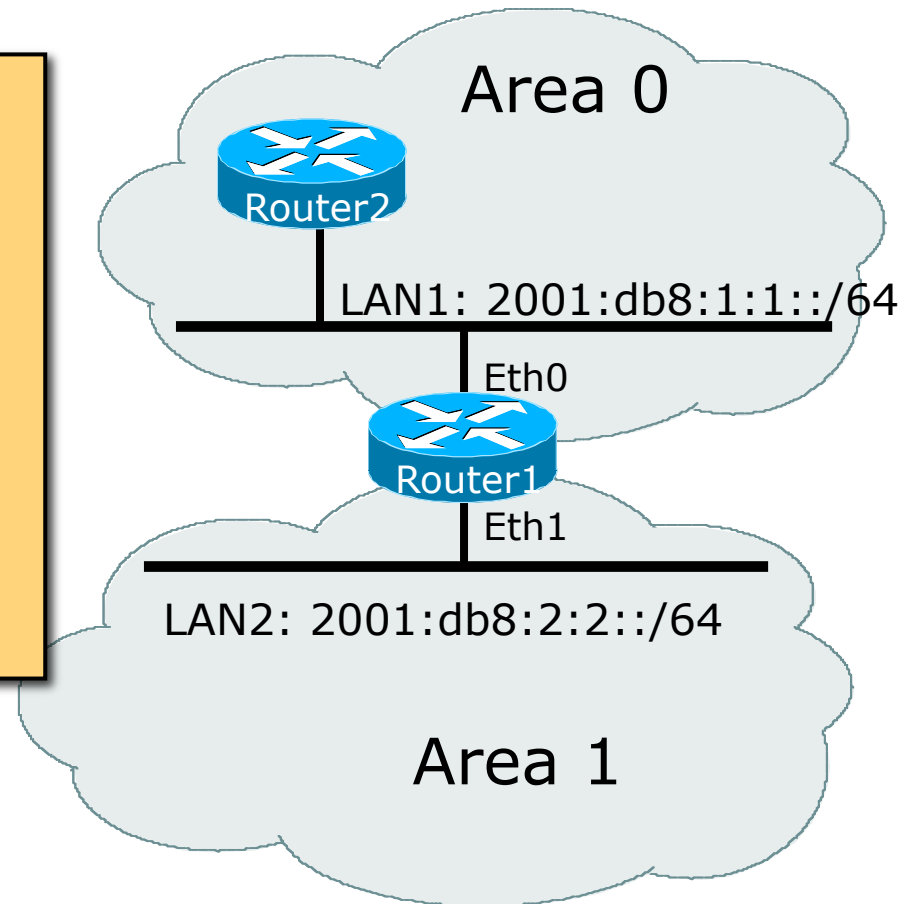
---

- Runs over a link, not a subnet
  - Multiple instances per link
- Topology not IPv6 specific
  - Router ID
  - Link ID
- Standard authentication mechanisms
- Uses link local addresses
- Generalized flooding scope
- Two new LSA types

# OSPFv3 configuration example

```
Router1#  
interface Ethernet0  
  ipv6 address 2001:db8:1:1::1/64  
  ipv6 ospf 1 area 0  
  
interface Ethernet1  
  ipv6 address 2001:db8:2:2::2/64  
  ipv6 ospf 1 area 1  
  
ipv6 router ospf 1  
  router-id 1.1.1.1
```

NB: Router-id only required in  
absence of any ipv4 configuration



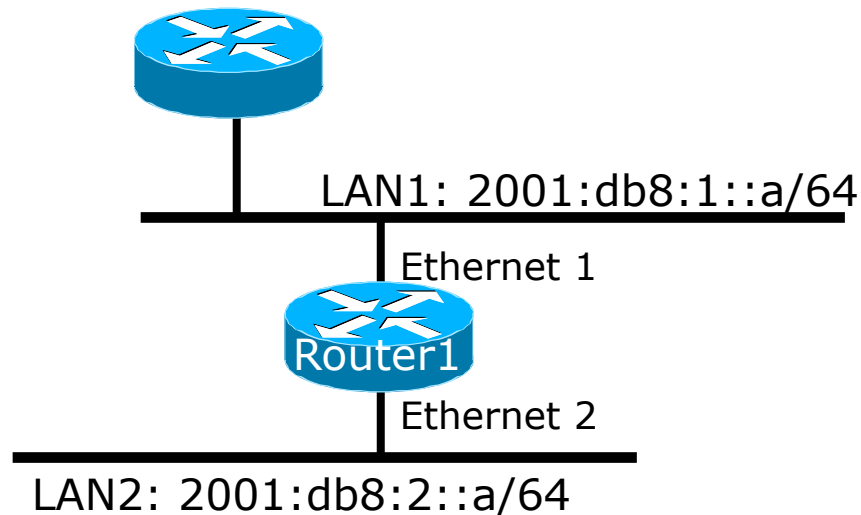
# ISIS Standards History

---

- ❑ ISO 10589 specifies the OSI IS-IS routing protocol for CLNS traffic
- ❑ RFC 1195 added IPv4 support
  - Also known as Integrated IS-IS (I/IS-IS)
  - I/IS-IS runs on top of the Data Link Layer
- ❑ RFC5308 adds IPv6 address family support
- ❑ RFC5120 defines Multi-Topology concept
  - Permits IPv4 and IPv6 topologies which are not identical
  - Permits roll out of IPv6 without impacting IPv4 operations

# Cisco IOS IS-IS dual stack configuration

---



Dual stack IPv4/IPv6 configuration.

```
Router1#  
interface ethernet 1  
  ip address 10.1.1.1 255.255.255.0  
  ipv6 address 2001:db8:1::a/64  
  ip router isis  
  ipv6 router isis  
  
interface ethernet 2  
  ip address 10.2.1.1 255.255.255.0  
  ipv6 address 2001:db8:2::a/64  
  ip router isis  
  ipv6 router isis  
  
router isis  
  net 42.0001.0000.0000.072c.00  
  metric-style wide
```

# Multi-Protocol BGP for IPv6 – RFC2545

---

- IPv6 specific extensions
  - Scoped addresses: Next-hop contains a global IPv6 address and/or potentially a link-local address
  - NEXT\_HOP and NLRI are expressed as IPv6 addresses and prefix
  - Address Family Information (AFI) = 2 (IPv6)
    - Sub-AFI = 1 (NLRI is used for unicast)
    - Sub-AFI = 2 (NLRI is used for multicast RPF check)
    - Sub-AFI = 3 (NLRI is used for both unicast and multicast RPF check)
    - Sub-AFI = 4 (label)



# A Simple MP-BGP Session



```
Router1#  
interface Ethernet0  
  ipv6 address 2001:db8:2:1::f/64  
!  
router bgp 65001  
  bgp router-id 10.10.10.1  
  no bgp default ipv4-unicast  
  neighbor 2001:db8:2:1::1 remote-as 65002  
  address-family ipv6  
    neighbor 2001:db8:2:1::1 activate  
    neighbor 2001:db8:2:1::1 prefix-list bgp65002in in  
    neighbor 2001:db8:2:1::1 prefix-list bgp65002out out  
  exit-address-family
```



# Routing Protocols for IPv6

## Summary

---

- ❑ Support for IPv6 in the major routing protocols
- ❑ More details for OSPF, ISIS and BGP in separate presentations

# IPv6 Routing Protocols



ISP Workshops